

## CJ19 Series Switch-over Capacitor Contactor



### General Description

CJ16(19)switch-over capacitor contactor is new type of components for electric appliances, which is developed and produced on the basis of the introduced foreign technology of the same kind. The device is widely applied to the low voltage reactive power compensation screen to replace the subassembly composed of three Xd1 current-limiting reactors and a CJ10 contactor, and it is also can be used in the general control circuit to limit flashy flow.

### Work condition

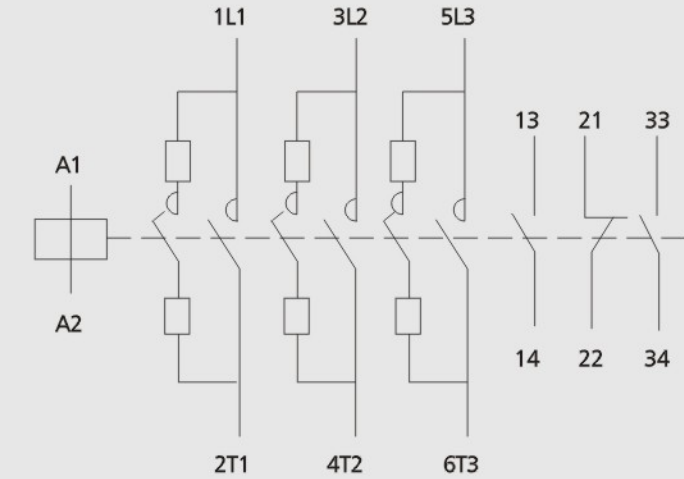
1. The altitude of installation place can not exceed 2000m
2. The air temperature around can not exceed 40°C, not lower than -5°C
3. Humidity: 50% at 40 °C, 90% at 20°C
4. Install condition: can not incline 5° to vertical plane
5. Class of pollution: 3degree
6. No impact and shake

### Structure characteristics

1. The contactor has install current-limited resistor, can restrain the switch on inrush current.
2. The contactor is direct-acting and double-break structure, operation flexible, conveniently manual operation inspect.
3. The contactor connection terminal has insulating boot, very safe.
4. The contactor can be instal by screw, also can instal in the bus bar.

## CJ19 Series Switch-over Capacitor Contactor

### Connection Drawing

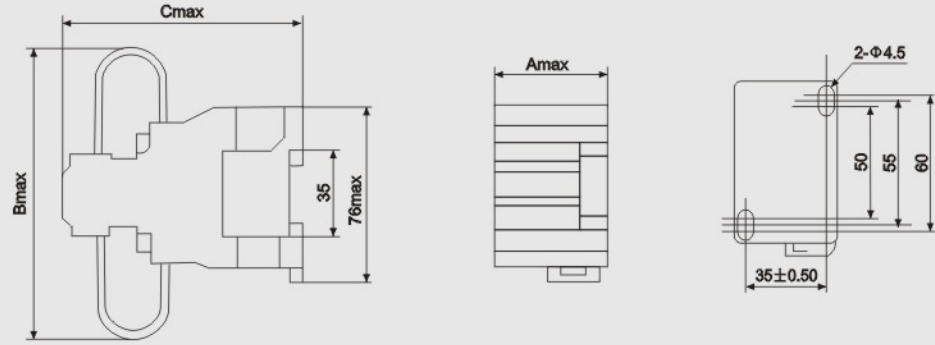


### Main technical data

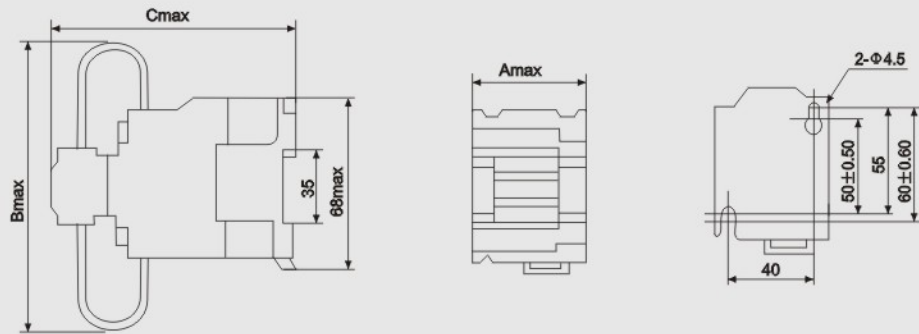
Model	CJ19-25	CJ19-32	CJ19-43	CJ19-63	CJ19-95	CJ19-115	CJ19-150	CJ19-170	
Conventional thermal current Ith A	25	32	43	63	108	250	250	250	
Rated current(A) AC-6b A	17	25	29	43	74	87	115	130	
Controlled capacitor kvar	230V-250V	6	9	10	15	29	35	45	52
	400V-450V	12	15	20	30	50	60	80	90
	690V	10	15	20	30	45	55	65	75
Capability to restrain surge	20In								
Working voltage Us 50Hz V	220、380 according to the customer's requirement								
Coil	Operating range 0.85~1.1Us								
	Consumed power VA	Start		200		300			
	holding		20		22				
Electrical endurance10 <sup>4</sup> times	10		8		6		2		
Mechanical life10 <sup>4</sup> times	100		80		60		20		
The max operation frequency times/h	300				120				
insulation voltage (V)	500V				660V		1000V		
Auxiliary contact	Convention thermal current (A)				10				
	Electrical endurance AC-15 360VA				12				
	10 <sup>4</sup> times DC-13 33W				12				
	The smallest load to connect current-limited resistor input time(ms)				6V × 10mA 7~9				

**CJ19 Series  
Switch-over Capacitor Contactor**

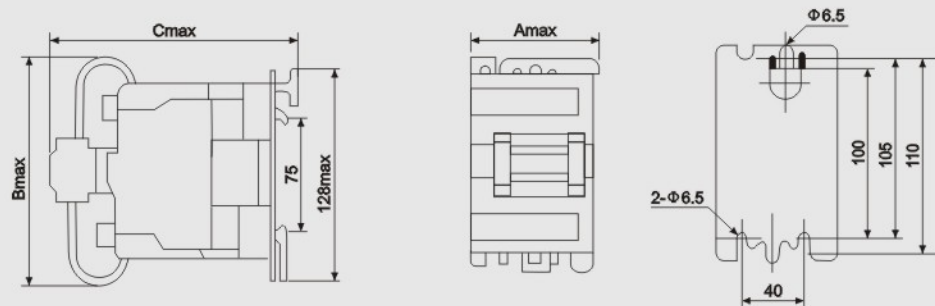
**Overall and  
installation size**



CJ19-25



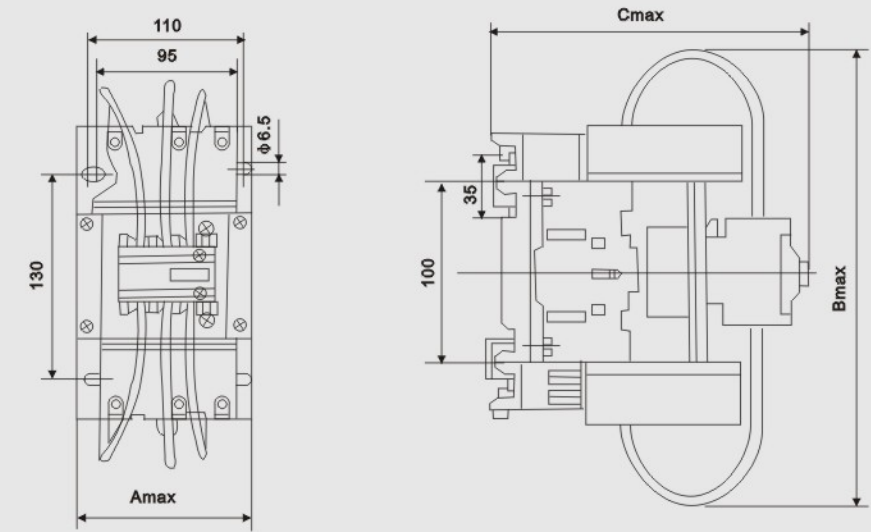
CJ19-32, 43



CJ19-63,95

**CJ19 Series  
Switch-over Capacitor Contactor**

**Overall and  
installation size**



CJ19-115,150,170

CJ19 Switch-over Capacitor Contactor	Amax	Bmax	Cmax
CJ19-25	47	80	124
CJ19-32	58	90	132
CJ19-43	58	90	136
CJ19-63	79	132	150
CJ19-95	87	132	160
CJ19-115	121	220	156
CJ19-150	121	220	156
CJ19-170	121	220	156